

NOTES: UNLESS OTHERWISE SPECIFIED

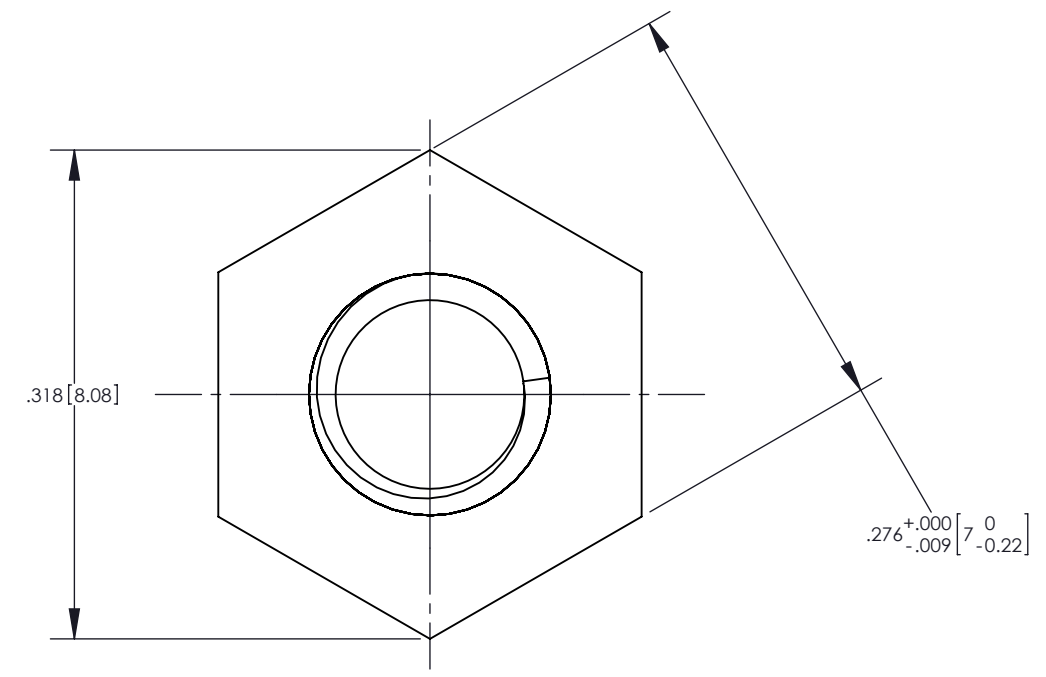
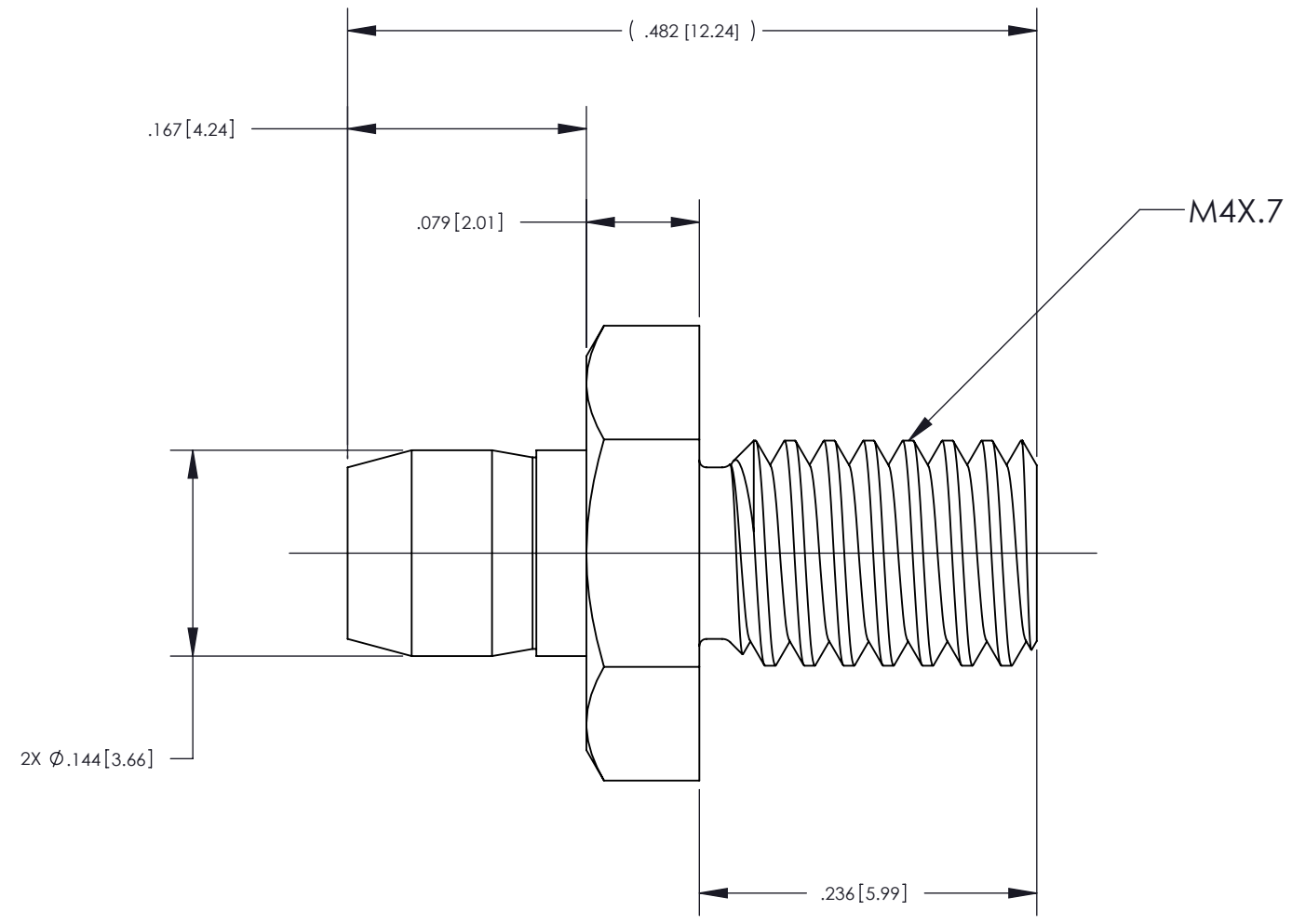
1. FOR GENERAL SERIES SPECIFICATIONS, SEE SD74-0000.

2. MATERIAL SPECIFICATIONS: BRASS PER ASTM B16.

3. FINISH SPECIFICATIONS:

.000030 MIN. GOLD PER ASTM B488 OVER .000050 MIN. NICKEL PER AMS QQ-N-290.

REV	DESCRIPTION	BY DATE	APPD
A	RELEASED PER ER19217	DW 10/13/09	CJC



CATALOG P/N: 01459

<small>PER ASME Y14.5M-1994 UNLESS OTHERWISE SPECIFIED: DIMENSIONS ARE IN INCHES [MM] TOLERANCES: DECIMAL: .XX [X.X] ± .01 [0.3] .XXX [X.XX] ± .005 [0.13] .XXXX [X.XXX] ± .0005 [0.013] .XXXXX [X.XXXX] ± .0001 [0.0025] ANGLES: ± 2° SCALE: 4:1</small>				 WINCHESTER Winchester Electronics Corporation <small>ELECTRONICS 62 Barnes Industrial Road North Wallingford, Connecticut 06492</small>	
CUSTOMER SALES DRAWING		 THIRD ANGLE		POWERSNAP PLUG STRAIGHT, M4X.7 THREAD MOUNT 30 AMP, RoHS COMPLIANT	
<small>DRAWN</small> DAO	<small>DATE</small> 08/06/08	<small>APPROVED</small> WPM	<small>DATE</small> 08/11/08	B	SD01459
<small>APPROVED</small> RDG	<small>DATE</small> 08/11/08	<small>APPROVED</small> RJW	<small>DATE</small> 08/11/08	SHT 1 OF 1	REV A